

EP-900 SERIES DC REGULATED POWER SUPPLY

USER'S MANUAL

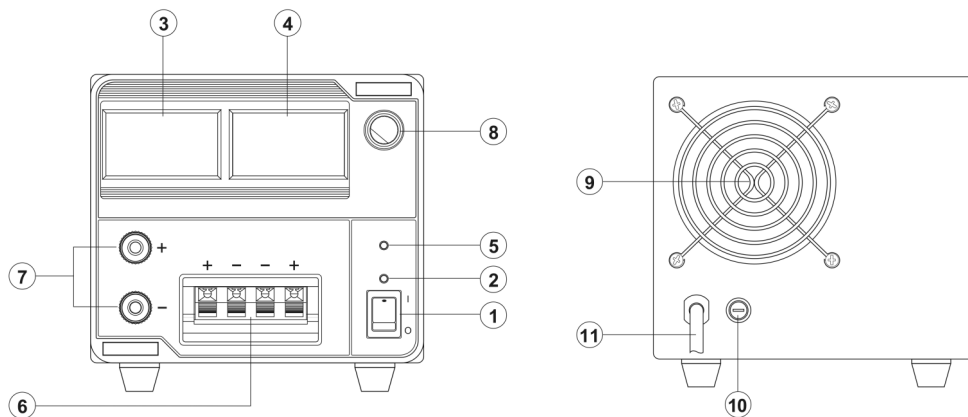
I. GENERAL

EP-900 Series DC Regulated Power Supply is a completely solid state, compact, well regulated, constant voltage power supply suitable for service field, hobby & especially for telecommunication equipment use. For safety purpose, a three-wire power cord is provided.

II. FEATURES

1. Overload and Short Circuit Protection: Prevent the unit from overload and short circuit. When the unit is under the condition of overload or short circuit, the output current will be limited.
2. Two different output terminals are provided: Easy Snap on output terminals for small current output and screw-on output terminals.

III. FRONT AND REAR PANELS



- | | |
|----------------------------------|-----------------------------------|
| 1. ON/OFF Switch | 7. Screw-On Output Terminal |
| 2. Power Indicator | 8. Output Voltage Adjust Knob |
| 3. Voltmeter | 9. Cooling Fan Air In-take Window |
| 4. Ammeter | 10. Fuse Holder |
| 5. Overload Indicator | 11. Power Cord |
| 6. Easy Snap-On Output Terminals | |

IV. OPERATION

A. Installation:

1. Place the unit in a location where allows free air circulation.
2. **DO NOT** place the unit in high humid, dusty and/or sunny places.
3. The input power source must be $\pm 5\%$ of the rated input voltage.

B. Caution:

1. **DO NOT** use the unit for equipment that requires higher current ratings than the unit is designed for, otherwise damage could occur to the unit.
2. **DO NOT** replace the fuse before ceasing the problems and assigned value of fuse must be used in place.

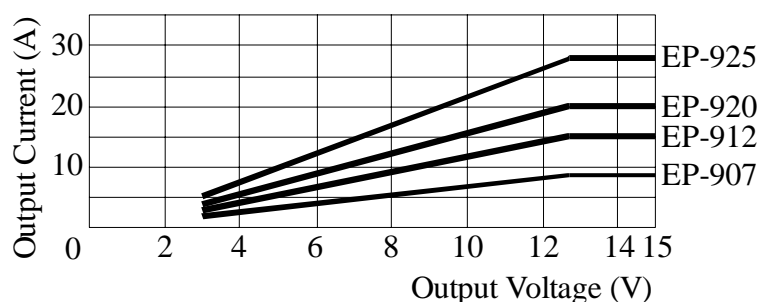
C. Safety Precautions:

The following precautions **MUST** be read carefully to prevent from electric shock.

1. **NEVER** remove the metal cover of the power supply while power source is connecting.
2. **NEVER** touch the power supply when your hand is wet.
3. **NEVER** operate the power supply if foreign materials such as metallic objects, water or other debris have fallen inside. Contact your dealer for check and repair.
4. **NEVER** operate the unit that was being damaged. As the voltage regulation circuitry may have been disabled, the resulting high DC voltage could cause damage to your equipment.
5. **NEVER** allow foreign objects to touch the output terminals.
6. If you have the need to inspect the interior of the power supply, be contained to let it cool down completely, as some components may be hot enough to burn your hands in event of component failure (People other than professions are not recommend to check the interior yourselves.)
7. **NEVER** block the air intake window.

D. Output Current:

The current of the unit is depended on the output voltage as the following curve.



E. Connection and Operation:

1. Turn OFF the unit and the equipment.
2. Connect the equipment to the unit. Positive polarity to red (+) and negative polarity to Black (-).
3. Turn ON the unit first and then turn ON the equipment.
4. When an operation is finished, turn OFF the equipment first and then turn OFF the unit.

V. SPECIFICATIONS

Model Number:	EP-907	EP-912	EP-920	EP-925
Output Voltage:	3-15V DC			
Output Current (Continuous):	6A	12A	18A	25A
Output Current Limit:	7A	15A	20A	30A
Ripple & Noise:	<10mV _{r.m.s.}			
Line Regulation:	15mV			
Load Regulation (0~100% Load):	40mV	60mV	80mV	100mV
Power Source:	230Vac/50Hz (120Vac/60Hz or on request)			
Meters Type:	ANALOG METERS			
Cooling Fan:	NO	YES		
Dimension (W×H×D)/mm:	150 × 145 × 200	150 × 145 × 300		
Weight (Approx.):	3.3 Kg	5.5 Kg	7 Kg	9Kg
Accessory:	Instruction Sheet			