

AEM-8102 ETHERNET CARD
FOR
MANSON POWER SUPPLY
CONFIGURATION MANUAL

1. Introduction

The Ethernet card AEM-8102 is optional add on card for following power supply models.

SSP-9081

KPS-6XXX series

NEP-8186, NEP-8323

If your power supply is not pre-installed of the Ethernet card, please check with the shop for purchasing this card.

2. Hardware installation

a) To install Ethernet card into power supply, it need to remove the cover on rear panel first. (Figure 1)

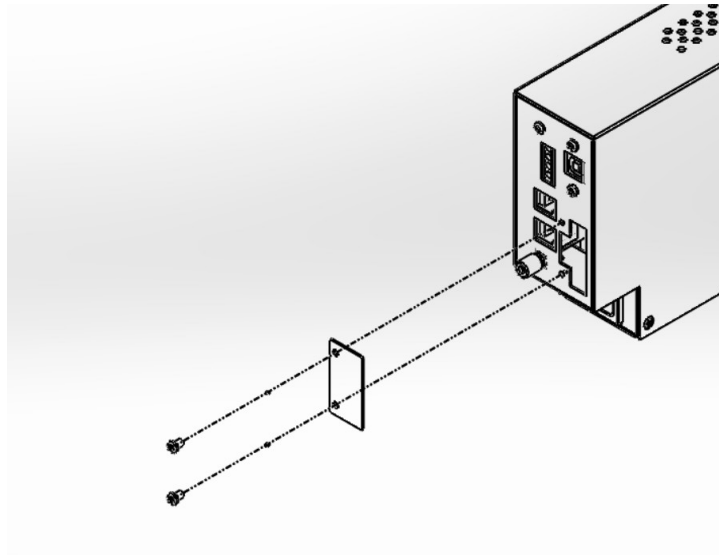


Figure 1

b) Then connect the cable to stock and install the card on the rear panel. (Figure 2)

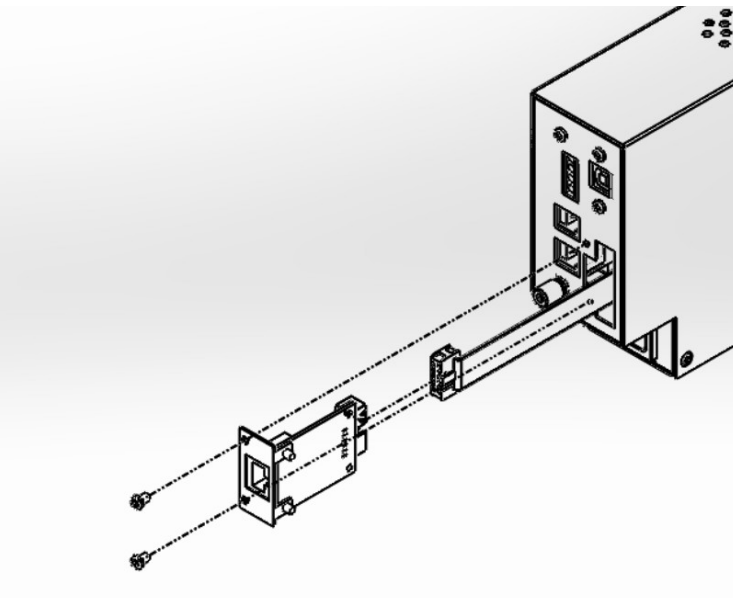


Figure 2

3. Software installation

The software are included in CD come with power supply and Ethernet card. Or you can download it from Manson website.

If you are using CD, the setup program is locate in folder "Network_Card_ConfigTool". If you download software from Manson website, unzipping the file "Network_Card_ConfigTool".

a) Run "setup.exe" to start installation.

b) Click  to continue.

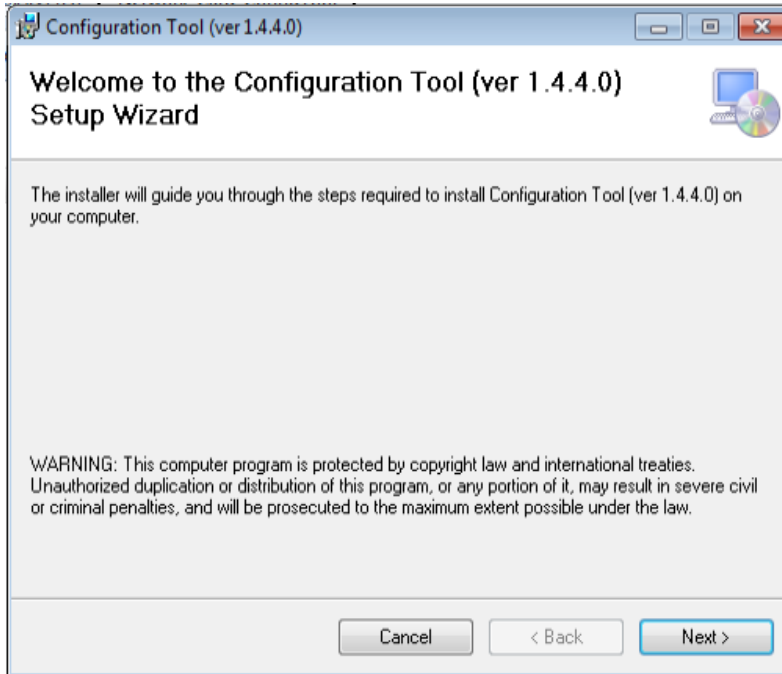



Figure 3

c) Select the installation folder and access right. Then click  to continue.

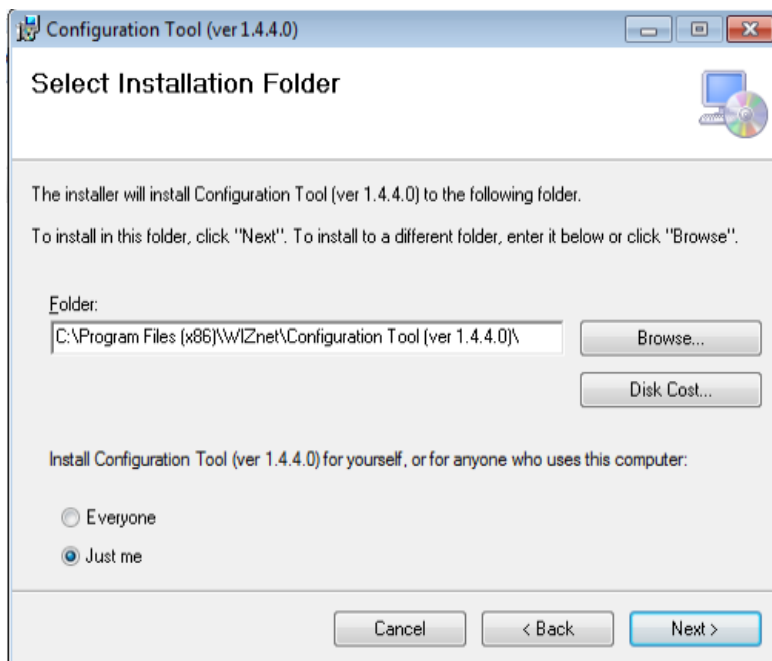


Figure 4

d) Then click  to confirm installation.

4. Configuration Network Card

The default IP of network card is 192.168.1.252. You can modify the IP address by using network configuration tool installed in section 3.

Network Configuration

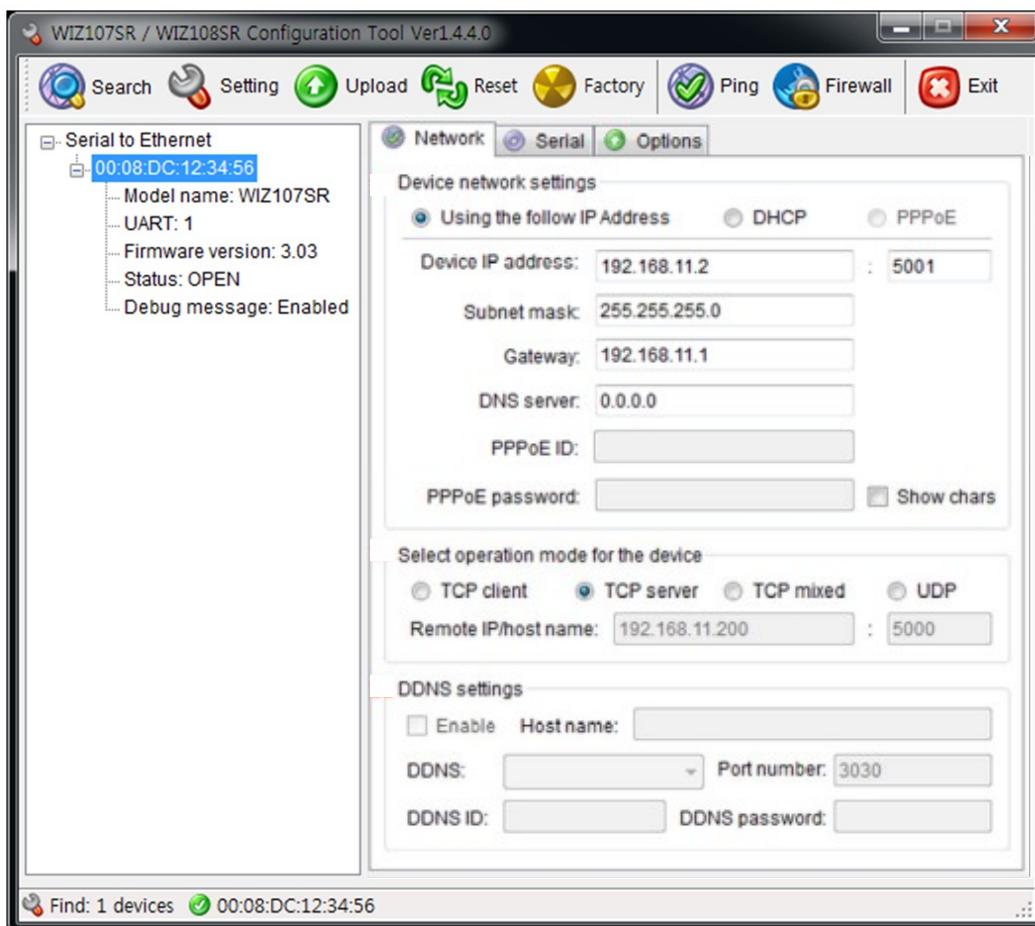


Figure 5. Network Configuration Page

Search

Use the search function to search the Manson power supply with Ethernet card installed. Just use UDP broadcast (Figure 6) to search.

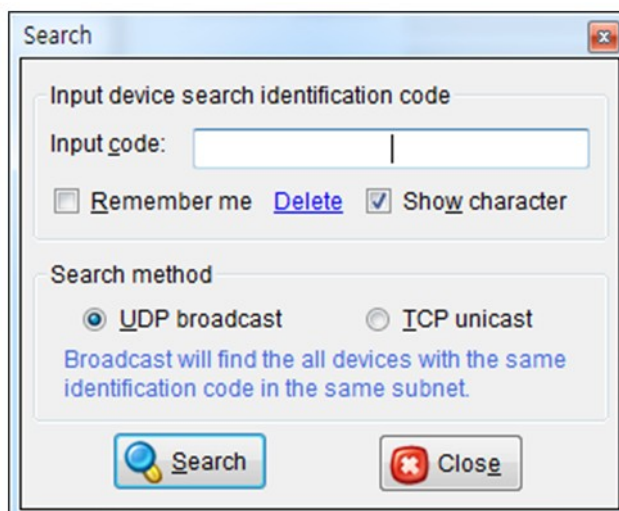


Figure 6. Searching with UDP broadcast method

Serial to Ethernet tree

All the successfully being searched Ethernet card will show under Serial to Ethernet tree. Each MAC address represent one Ethernet card.

Network Setting Method

Select IP setting mode, you can select one of Static, DHCP.

- Using the follow IP Address (Static)

This is option for setting Ethernet card's IP with static IP address. Firstly, select MAC address which you wanted to set as static IP in the board list. Then "Device IP, Subnet, Gateway box" will be enabled. Input Static IP address and click "setting" button. Then set the IP address as you want.

- DHCP

Set this option to use DHCP mode. Firstly, check 'DHCP' and click 'Setting' button. If IP address is successfully acquired from DHCP server, the MAC address will be displayed on the configuration window. (It takes some time to acquire IP address from DHCP server) When a module on the board list is selected, IP address, Subnet mask and Gateway are displayed. If it could not acquire network information from DHCP server, IP address, Gateway Address and Subnet mask will be initialized to 0.0.0.0.

Network Operation Mode

Select TCP server mode for Manson Power Supply.

Setting

This function is to complete the configuration change

Exit

Close the configuration Tool Program.